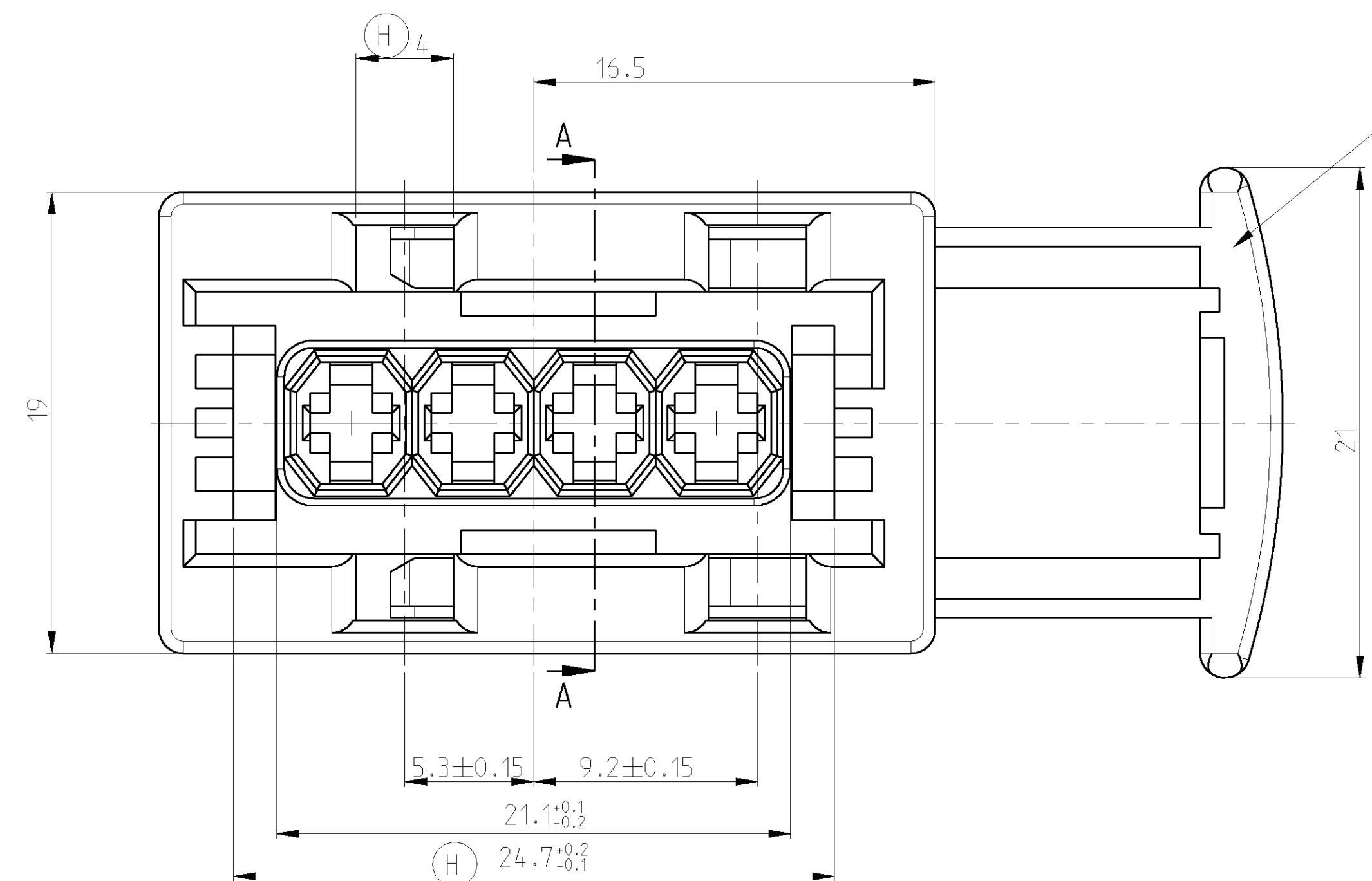
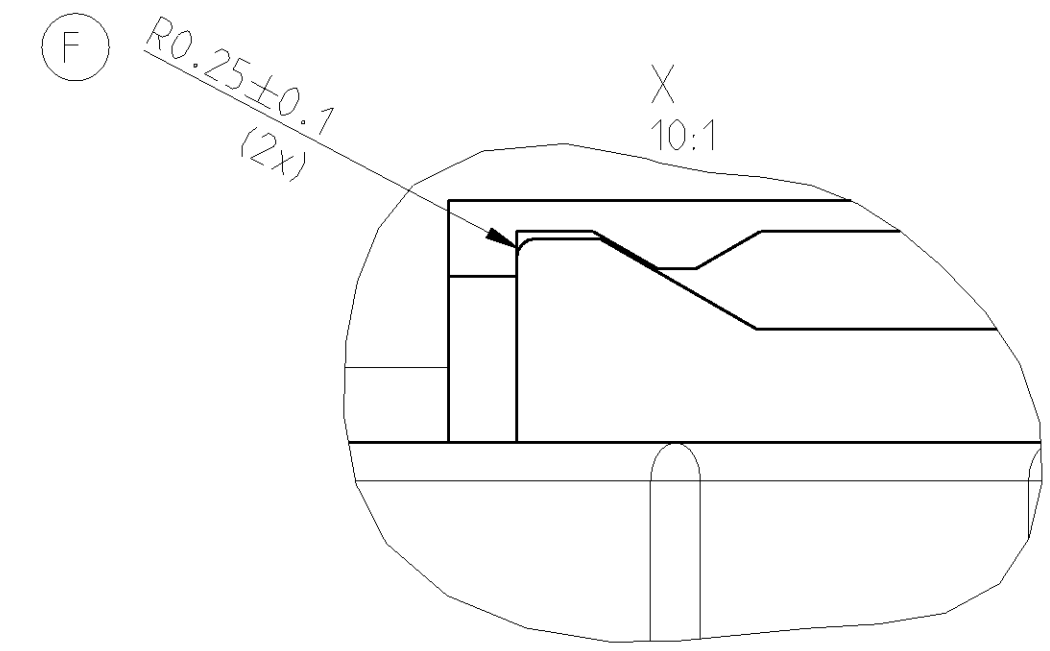
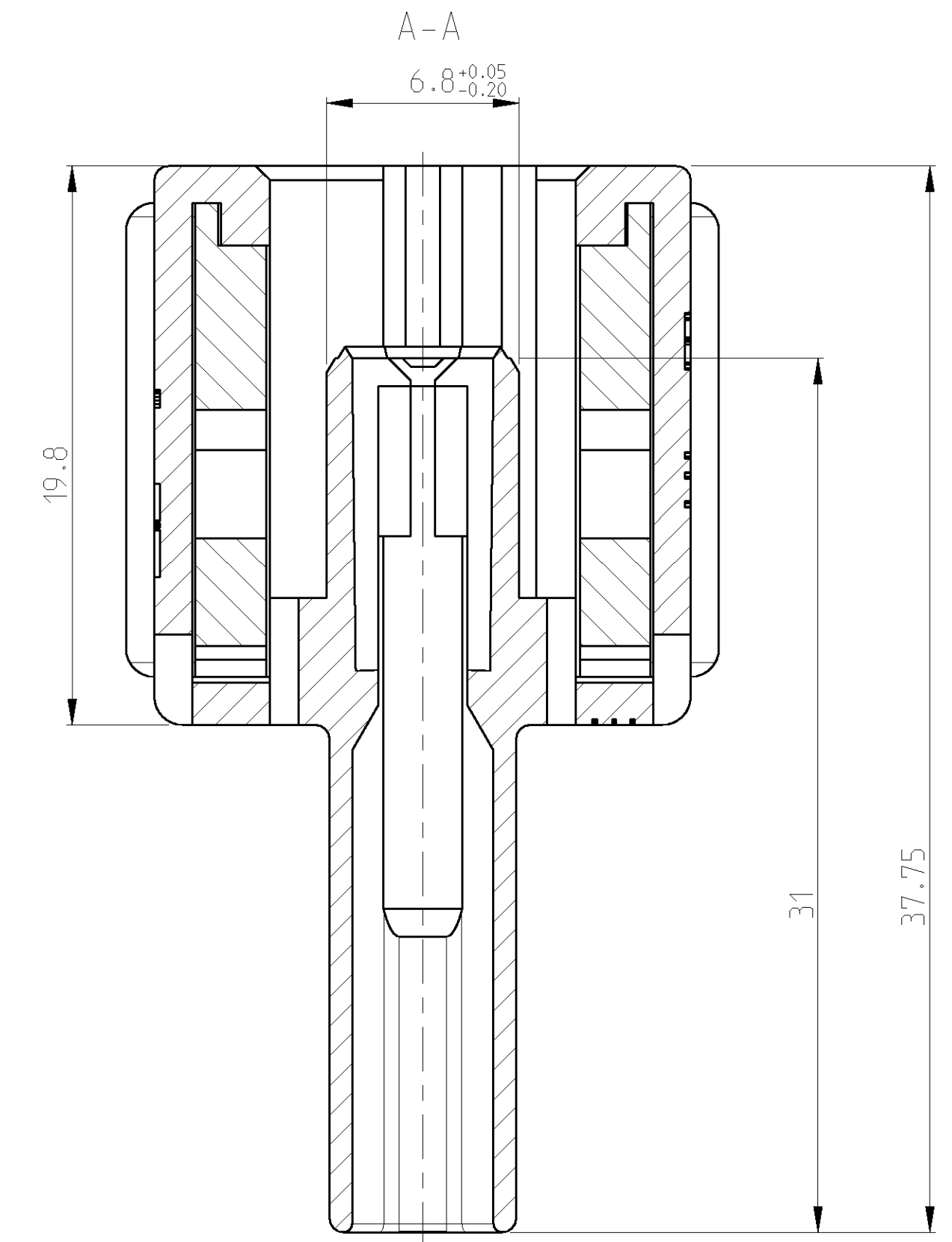
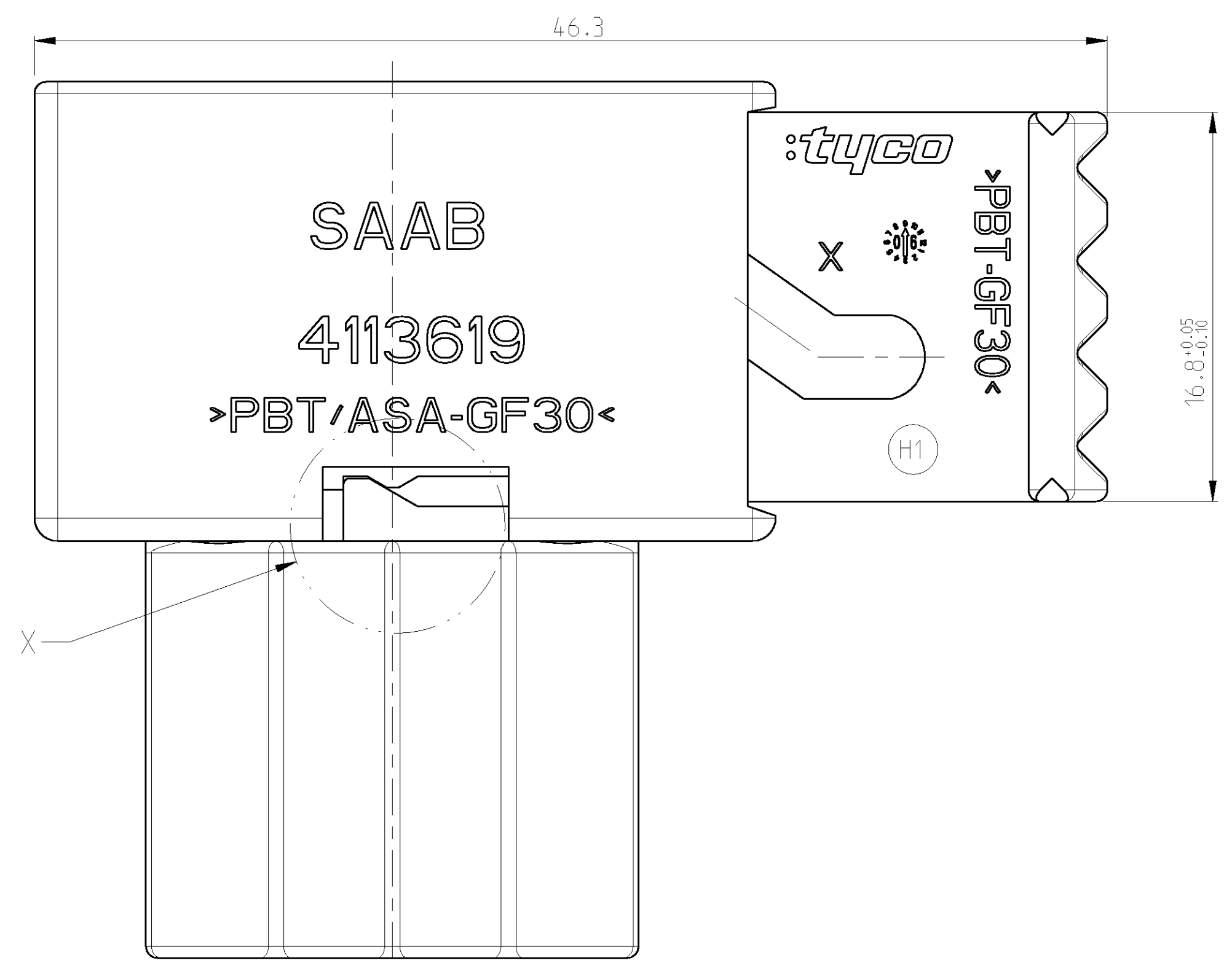
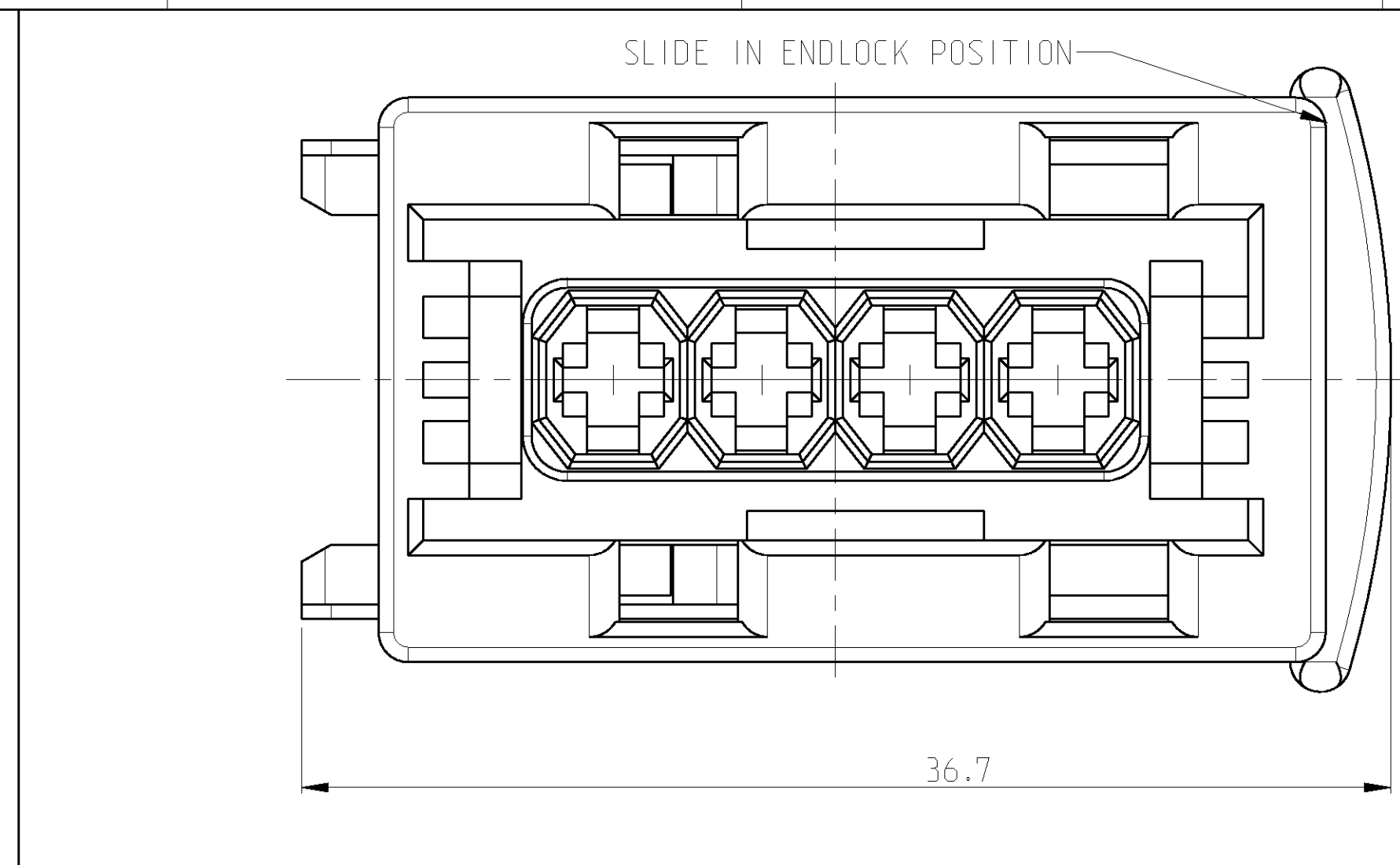
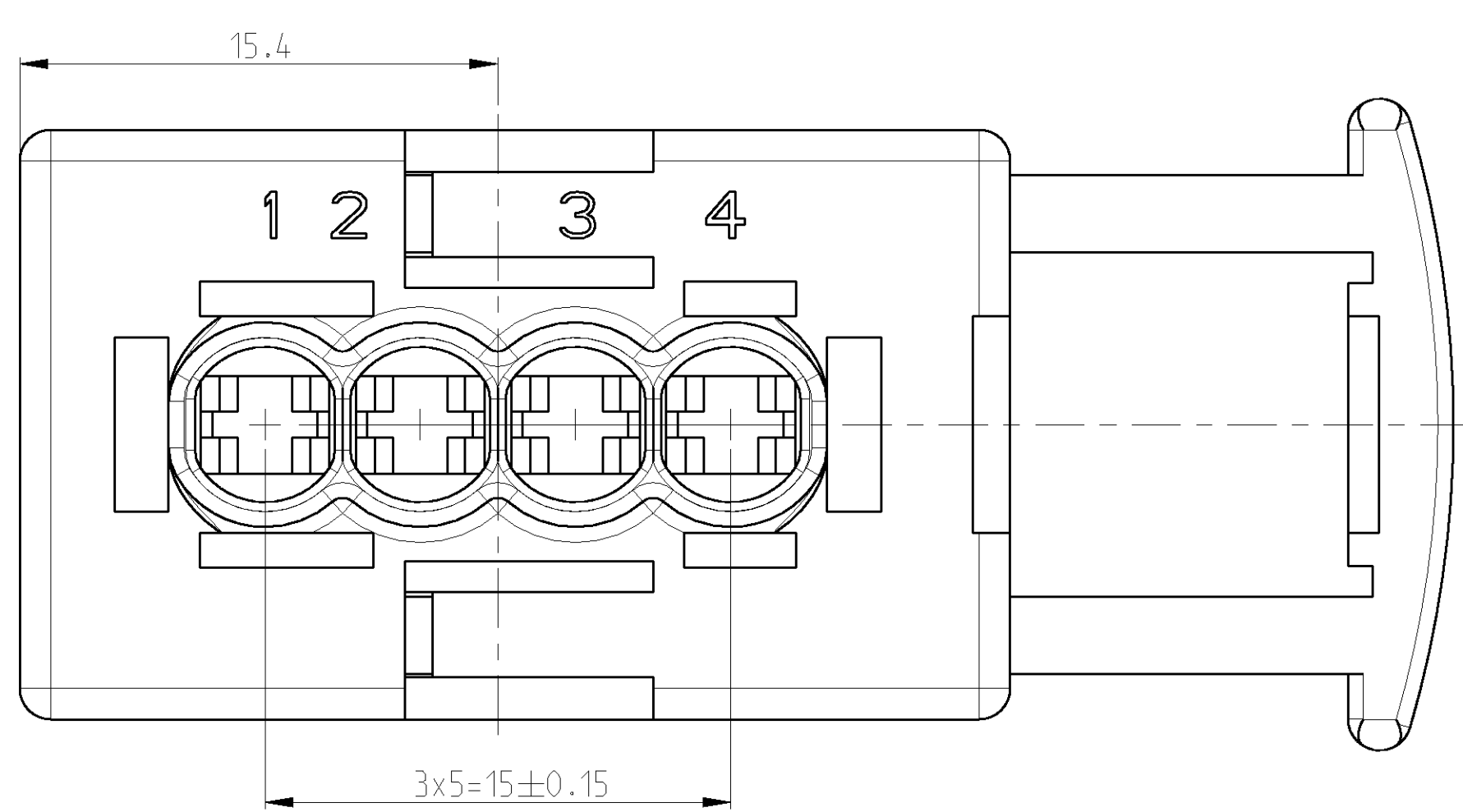
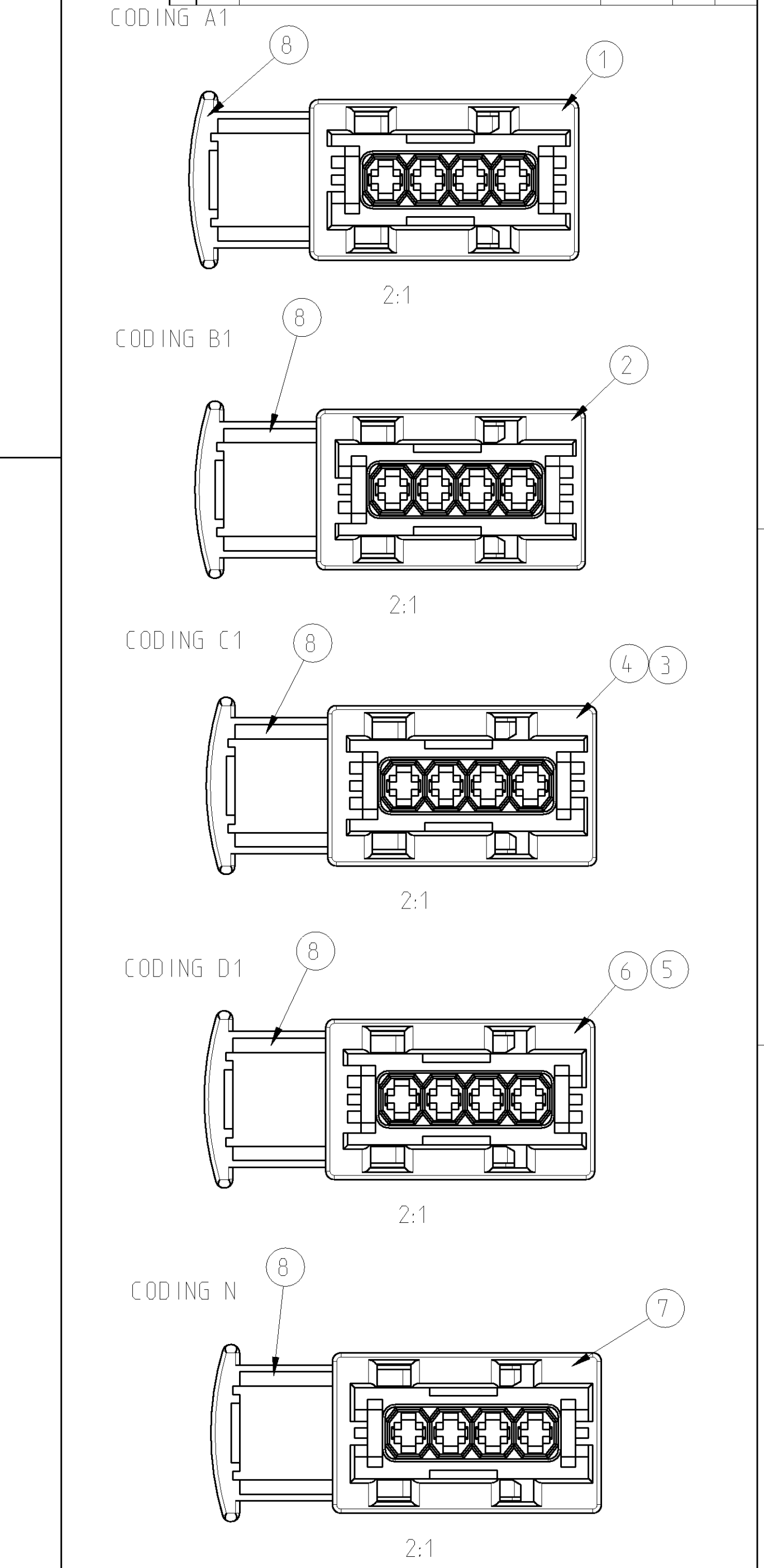


LOC	DIST	REV	DATE	BY	APPV
A1	-	H	25MAY2004	M.D.	T.K.
		H1	23AUG06	C.A.	T.K.



DELIVERY POSITION (G)  
 CAUSED BY TRANSPORT  
 THE POSITION OF THE SLIDE  
 COULD CHANGE TO INTERMEDIATE  
 OR CLOSED POSITION

CUSTOMER PART NO.	AMP PART NO.	REV.	PCS	MATERIAL	COLOR	DESCRIPTION	ITEM NO.
4113601	5-963207-1	H	1	PBT-GF30	RED	SLIDE	8
				PBT+ASA-GF30	WHITE	JPT HSG., 4POS.	7
4113643	4-963207-2	H	1	PBT-GF30	RED	SLIDE	8
				PBT+ASA-GF30	GREEN	JPT HSG., 4POS.	6
4113643	4-963207-1	H	1	PBT-GF30	RED	SLIDE	8
				PBT+ASA-GF30	BROWN	JPT HSG., 4POS.	5
4113635	3-963207-2	H	1	PBT-GF30	RED	SLIDE	8
				PBT+ASA-GF30	GREEN	JPT HSG., 4POS.	4
4113635	3-963207-1	H	1	PBT-GF30	RED	SLIDE	8
				PBT+ASA-GF30	BLUE	JPT HSG., 4POS.	3
4113627	2-963207-1	H	1	PBT-GF30	RED	SLIDE	8
				PBT+ASA-GF30	GREY	JPT HSG., 4POS.	2
4113619	1-963207-1	H	1	PBT-GF30	RED	SLIDE	8
				PBT+ASA-GF30	BLACK	JPT HSG., 4POS.	1

DIMENSIONS:		TOLERANCES UNLESS OTHERWISE SPECIFIED:	
mm	0 PLC	±0.3	
	1 PLC	±0.3	
	2 PLC	±0.3	
	3 PLC	±	
	4 PLC	±	
	ANGLES	±	
MATERIAL	FINISH		

OWN: M. Dauber	24MAY2004	tyco Electronics	tyco Electronics AMP GmbH D - 64625 Bensheim
ENG: T. Killian	25MAY2004		
APVD: -	NAME: -	JUNIOR POWER TIMER HOUSING, 4 POS.	
PRODUCT SPEC: 108-18102	APPLICATION SPEC: 114-18175-1	SIZE: A1	CAGE CODE: 00779
WEIGHT: -	DRAWING NO: 963207	SCALE: 5:1	SHEET 1 OF 1
CUSTOMER DRAWING	REV: H1		

